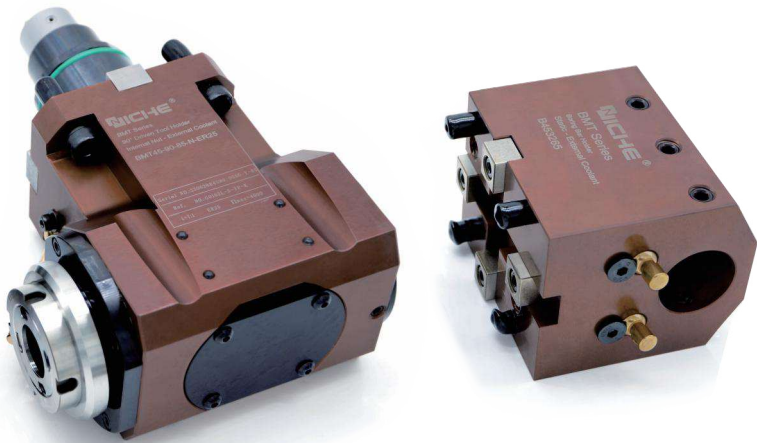


NICHE®
FOR A BETTER US





INDEX

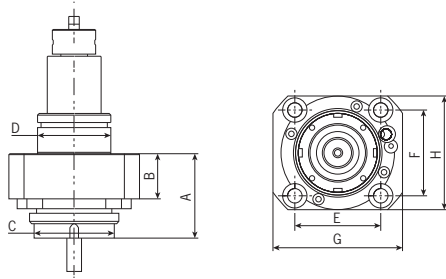
DRIVEN TOOL HOLDER

BMT SERIES 0° DRIVEN TOOL HOLDER	4
BMT SERIES 90° DRIVEN TOOL HOLDER	5
BMT SERIES INNER GROOVE DRIVEN TOOL HOLDER	6
BMT SERIES SPEED-INCREASING POWER TOOL HOLDER	7
BMT SERIES DOUBLE HEAD DRIVEN TOOL HOLDER	8
BMT SERIES DOUBLE DRIVEN TOOL HOLDER	9
BMT SERIES ADJUSTABLE TOOL HOLDER	10
BMT SERIES STATIC TOOL HOLDER	11



BMT SERIES 0° DRIVEN TOOL HOLDER

BMT Series 0° Driven Tool Holder



Specification	A	B	C	D	E	F	G	H	N.W.(KG)
BMT40-0-ER20	68.2	33	ER20(1-13)	40	60	50	75	63	1.5
BMT40-0-N-ER20	58.5	33	N-ER20(1-13)	40	60	50	75	63	1.5
BMT40-0-ER25	70.2	33	ER25(1-16)	40	60	50	75	63	1.5
BMT45-0-ER25	70.2	33	ER25(1-16)	45	58	58	85	75	2.4
BMT45-0-N-ER25	59	33	N-ER25(1-16)	45	58	58	85	75	2.4
BMT55-0-ER25	71.3	34	ER25(1-16)	55	64	64	97	85	3.3
BMT55-0-ER32	71.3	34	ER32(2-20)	55	64	64	97	85	3.3
BMT55-0-N-ER32	63	34	N-ER32(2-20)	55	64	64	97	85	3.3
BMT65-0-N-ER32	74.3	37	N-ER32(2-20)	65	70	73	94	94	4.2
BMT65-0-ER40	74.3	37	ER40(3-26)	65	70	73	94	94	4.2
BMT75-0-ER40	82.3	43	ER40(3-26)	75	90	90	112	112	5.1

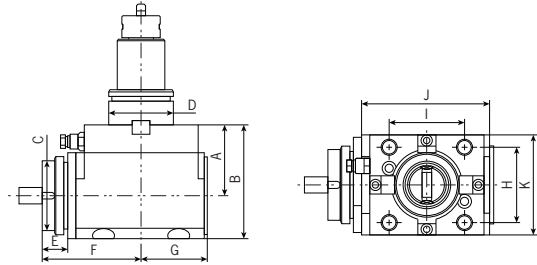
*-N-: Internal nut

*External coolant

BMT SERIES 90° DRIVEN TOOL HOLDER



BMT Series 90° Driven Tool Holder



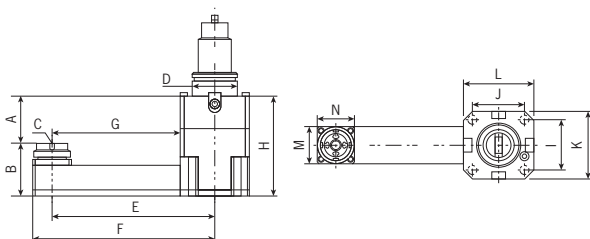
Specification	A	B	C	D	E	F	G	H	I	J	K	N.W.(KG)
BMT40-90-60-ER20	60	91.5	ER20(1-13)	40	35.2	84.8	46	50	60	92.6	63	3.5
BMT40-90-60-N-ER20	60	91.5	NER20(1-13)	40	25.6	74.9	46	50	60	92.6	63	3.5
BMT40-90-60-ER25	60	91.5	ER25(1-16)	40	37.2	86.8	46	50	60	92.6	63	3.5
BMT40-90-85-ER20	85	116.5	ER20(1-13)	40	35.2	84.8	46	50	60	92.6	63	4.5
BMT40-90-85-N-ER20	85	116.5	N-ER20(1-13)	40	25.6	74.9	46	50	60	92.6	63	4.5
BMT40-90-85-ER25	85	116.5	ER25(1-16)	40	37.2	86.8	46	50	60	92.6	63	4.5
BMT45-90-60-ER25	60	93.5	ER25(1-16)	45	37.2	88.7	55	58	58	92.6	75	5
BMT45-90-60-N-ER25	60	93.5	N-ER25(1-16)	45	25.6	77.1	55	58	58	103.5	75	5
BMT45-90-85-ER25	85	118.5	ER25(1-16)	45	37.2	88.7	55	58	58	103.5	75	5.5
BMT45-90-85-N-ER25	85	118.5	N-ER25(1-16)	45	25.6	77.1	55	58	58	103.5	75	5.5
BMT55-90-60-ER25	60	96.5	ER25(1-16)	55	37.2	92.7	56.5	64	64	103.5	85	6.5
BMT55-90-60-ER32	60	96.5	ER32(2-20)	55	37.2	92.7	56.5	64	64	109	85	6.5
BMT55-90-60-NER32	60	95.5	N-ER32(2-20)	55	28.3	83.8	56.5	64	64	109	85	6.5
BMT55-90-85-ER25	85	121.5	ER25(1-16)	55	37.2	92.7	56.5	64	64	109	85	7.5
BMT55-90-85-ER32	85	121.5	ER32(2-20)	55	37.2	92.7	56.5	64	64	109	85	7.5
BMT55-90-85-N-ER32	85	121.5	N-ER32(2-20)	55	28.3	83.8	56.5	64	64	109	85	7.5
BMT55-90-100-ER25	100	136.5	ER25(1-16)	55	37.2	92.7	56.5	64	64	109	85	8
BMT55-90-100-ER32	100	136.5	ER32(2-20)	55	37.2	92.7	56.5	64	64	109	85	8
BMT55-90-100-N-ER32	100	136.5	N-ER32(2-20)	55	28.3	83.8	56.5	64	64	109	85	8
BMT65-90-72-N-ER32	72	112	N-ER32(2-20)	65	37.1	89.1	59	73	70	104	94	8.4
BMT65-90-72-ER40	72	112	ER40(3-26)	65	37.1	89.1	59	73	70	104	94	8.4
BMT65-90-100-N-ER32	100	140	N-ER32(2-20)	65	37.1	89.1	59	73	70	104	94	9.5
BMT65-90-100-ER40	100	140	ER40(3-26)	65	37.1	89.1	59	73	70	104	94	9.5
BMT65-90-125-N-ER32	125	165	N-ER32(2-20)	65	37.1	89.1	59	73	70	104	94	10.5
BMT65-90-125-ER40	125	165	ER40(3-26)	65	37.1	89.1	59	73	70	104	94	10.5
BMT75-90-90-ER40	90	130	ER40(3-26)	75	39.1	99.1	67	90	90	120	112	10.5

*-N-: Internal nut
*External coolant



BMT SERIES INNER GROOVE DRIVEN TOOL HOLDER

BMT Series Inner Groove Driven Tool Holder

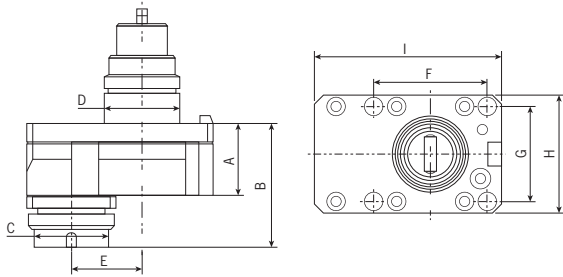


Specification	A	B	C	D	E	F	G
BMT45-NG-ER16	60	67.5	ER16(0.5-10)	45	200	223.5	157.5
BMT55-NG-ER16	60	67.5	ER16(0.5-10)	55	200	223.5	157.5
BMT65-NG-ER16	60	67.5	ER16(0.5-10)	65	200	223.5	157.5

Specification	H	I	J	K	L	M	N
BMT45-NG-ER16	127.5	50	60	75	75	47	47
BMT55-NG-ER16	127.5	64	64	85	85	47	47
BMT65-NG-ER16	127.5	73	70	94	94	47	47



BMT Series
0° Rotation-increasing
Driven Tool Holder

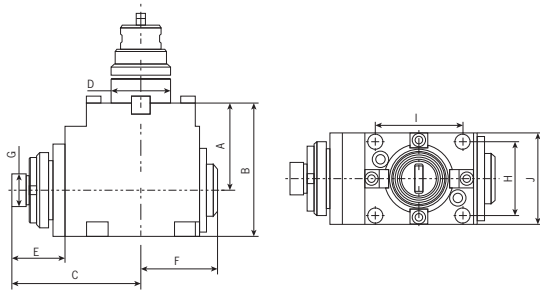


i=1:2

Specification	A	B	C	D	E	F	G	H	I	Rotation Inver	N.W.(KG)
BMT40-0-ZS-N-ER16	38	65.7	N-ER16(0.5-10)	40	37.5	60	50	63	98.5	1:2	2.5
BMT45-0-ZS-N-ER16	38	65.7	N-ER16(0.5-10)	45	37.5	58	58	75	103.5	1:2	3.4
BMT55-0-ZS-N-ER16	38	65.7	N-ER16(0.5-10)	55	37.5	64	64	85	103.5	1:2	4.3

*-N-: Internal nut
 *External coolant

BMT Series
90° Rotation-increasing
Driven Tool Holder



i=1:2

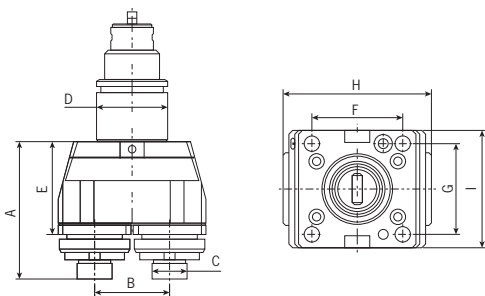
Specification	A	B	C	D	E	F	G	H	I	J	Rotation Inver	N.W.(KG)
BMT40-90-ZS-ER16	60	91.5	88.8	40	36.2	62	ER16(0.5-10)	50	60	63	1:2	3.7
BMT45-90-ZS-ER16	60	91.5	88.8	45	36.2	53.5	ER16(0.5-10)	58	58	75	1:2	5.3
BMT55-90-ZS-ER16	60	91.5	88.8	55	36.2	60.5	ER16(0.5-10)	64	64	85	1:2	6.7

*External nut
 *External coolant



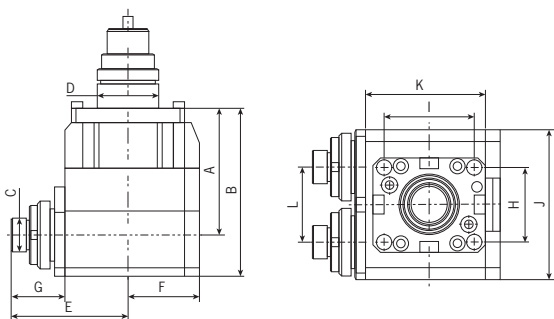
BMT SERIES DOUBLE HEAD DRIVEN TOOL HOLDER

BMT Series Double Head 0° Driven Tool Holder



Specification	A	B	C	D	E	F	G	H	I	N.W.(KG)
BMT40-0-ST-ER16	76.1	40	ER16(0.5-10)	40	48.5	50	60	80	75	3.6
BMT45-0-ST-ER16	88.2	48	ER16(0.5-10)	45	53	58	58	95	75	3.9
BMT55-0-ST-ER16	88.2	56	ER16(0.5-10)	55	53	64	64	103	85	4.2
BMT65-0-ST-ER16	88.2	56	ER16(0.5-10)	65	53	73	70	103	94	4.5

BMT Series Double Head 90° Driven Tool Holder

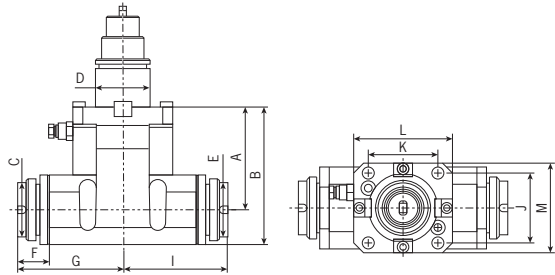


Specification	A	B	C	D	E	F	G	H	I	J	K	L	N.W.(KG)
BMT40-90-ST-ER16	85	112	ER16(0.5-10)	40	77.6	47.5	35.2	50	60	100	80	50	11
BMT45-90-ST-ER20	85	115	ER20(1-13)	45	80.7	58	35.7	58	58	115	90	56	12
BMT55-90-ST-ER20	85	115	ER20(1-13)	55	80.7	58	35.6	64	64	115	90	56	12.4
BMT65-90-ST-ER20	100	130	ER20(1-13)	65	80.7	58	35.7	73	70	115	90	56	13.5

BMT SERIES DOUBLE DRIVEN TOOL HOLDER



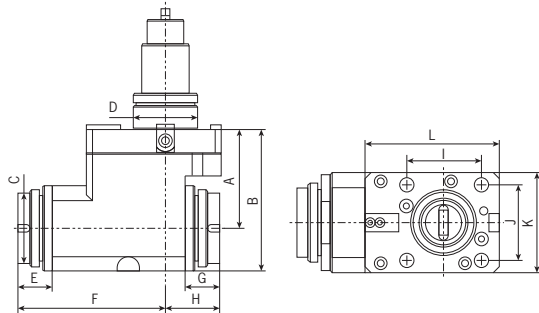
BMT Series 90° Driven Tool Holder Double head



Specification	A	B	C	D	E	F	G	H	I	J	K	L	M	N.W.(KG)
BMT45-90-85-SC-N-ER20	85	113.5	ER20(1-13)	45	ER20(1-13)	25.6	87.1	25.6	87.1	58	58	83	75	6
BMT55-90-85-SC-N-ER25	85	118.5	ER25(1-16)	55	ER25(1-16)	25.6	90.3	25.6	90.3	64	64	97	85	8.5
BMT55-90-85-SC-ER32	85	118.5	ER32(2-20)	55	ER32(2-20)	37.6	102.3	37.6	102.3	73	70	97	94	9
BMT65-90-100-SC-ER32	85	133.5	ER32(2-20)	65	ER32(2-20)	37.6	102.3	37.6	102.3	73	70	104	94	10.4

*-N: Internal nut
*-SC: Double head

BMT Series 90° Driven Tool Holder Double head



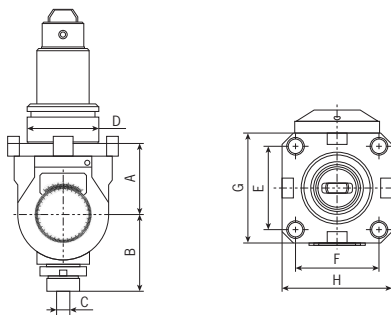
Specification	A	B	C	D	E	F	G	H	I	J	K	L	N.W.(KG)
BMT55-90-85-SCHS-ER32	85	121.5	ER32(2-20)	55	42	126	42	46	64	64	85	115	9.5
BMT55-90-85-SCHS-N-ER32	85	121.5	N-ER32(2-20)	55	29	126	29	46	64	64	85	115	9.5
BMT55-90-110-SCHS-ER32	110	146.5	ER32(2-20)	55	42	126	42	46	64	64	85	115	11.5
BMT55-90-110-SCHS-N-ER32	110	146.5	N-ER32(2-20)	55	29	126	29	46	64	64	85	115	11.5



BMT SERIES ADJUSTABLE TOOL HOLDER

BMT Series

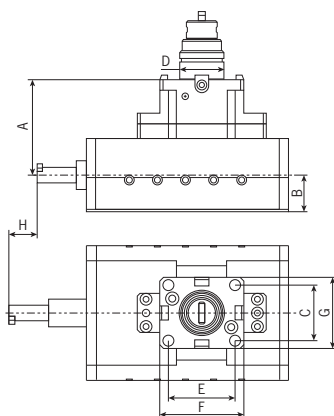
Adjustable Driven Tool Holder
(0°-90°)



Specification	A	B	C	D	E	F	G	H	N.W.(KG)
BMT40-WX-ER16	45	52	ER16(0.5-10)	40	50	60	63	75	3
BMT45-WX-ER20	55	59	ER20(1-13)	45	58	58	75	80	4.2
BMT55-WX-ER20	55	59	ER20(1-13)	55	64	64	85	85	4.5
BMT65-WX-ER20	65	72	ER20(1-13)	65	73	70	98	98	5.8

BMT Series

Socket Driven Tool Holder

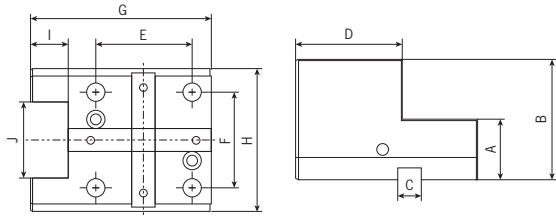


Specification	A	B	C	D	E	F	G	H	N.W.(KG)
BMT40-CC	85	29	50	40	50	75	63	25/32	9
BMT45-CC	85	29	58	45	58	85	75	25/32	10.2
BMT55-CC	85	29	64	55	64	90	85	25/32	11
BMT65-CC	85	29	73	65	70	104	94	25/32	12

BMT SERIES STATIC TOOL HOLDER



BMT Series Radial Square Tool Holder Static - External Coolant

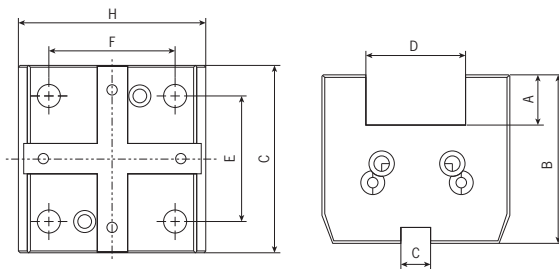


Specification	A	B	C	D	E	F	G	H	I	J	N.W.(KG)
C402055	30	55	12	58.5	60	50	97	75	20	40	1.8
C452580	40	80	15	67	58	58	110	85	25	50	3.2
C552580	40	80	15	70	64	64	120	95	25	50	3.8
C652580	40	80	18	70	70	73	130	98	25	50	4.7
C6532100	40	100	18	77.5	70	73	137.5	98	32	64	5.1
C7540100	40	100	25	85	90	90	157	130	40	80	5.3



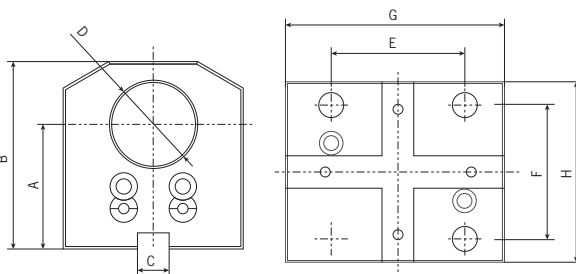
BMT SERIES STATIC TOOL HOLDER

BMT Series Axial Square Tool Holder Static - External Coolant



Specification	A	B	C	D	E	F	G	H	N.W.(KG)
F402045	20	65	12	40	60	50	81	75	2.2
F452560	25	85	15	50	58	58	86	90	3.6
F552560	25	85	15	50	64	64	95	95	4.5
F652575	25	100	18	50	70	73	110	98	5.4
F6532100	32	100	18	64	70	73	110	98	5.2
F7540115	40	115	25	80	90	90	126	130	6.1

BMT Series Boring Bar Holder Static - External Coolant

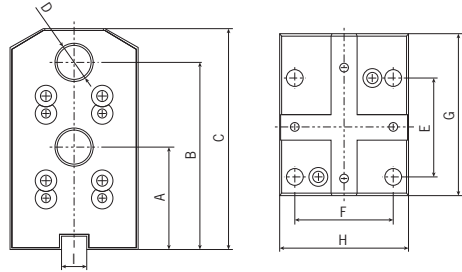


Specification	A	B	C	D	E	F	G	H	N.W.(KG)
B402560	60	83	12	25	50	60	94	63	2.7
B402585	85	108	12	25	50	60	94	63	3
B403260	60	83	12	32	50	60	94	63	2.7
B453265	65	88	15	32	58	58	95	75	3.2
B554060	60	97	15	40	64	64	105	86	3.6
B554085	85	115	15	40	64	64	105	86	4
B654080	80	110	18	40	73	70	120	98	5.5
B6550100	100	130	18	50	73	70	120	98	6.5
B756090	90	130	25	60	90	90	126	112	7.2

BMT SERIES STATIC TOOL HOLDER

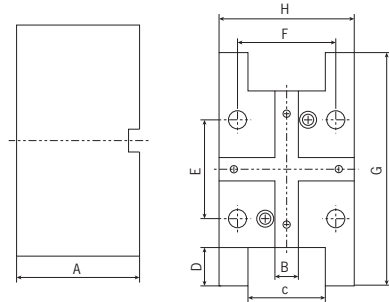


BMT Series Boring Bar Holder Static - Double - External Coolant



Specification	A	B	C	D	E	F	G	H	I	N.W.(KG)
B40-S20-40/75	40	75	95	20	60	50	94	63	12	3.5
B45-S20-60/110	60	110	130	20	58	58	95	75	15	5.4
B55-S25-65/110	65	110	127	25	64	64	85	86	15	6.4
B55-S25-95/135	95	135	151	25	64	64	105	86	15	8.5
B65-S25-65/110	65	110	127	25	70	73	120	98	18	8.6

BMT Series Radial Square Tool Holder Static - Double - External Coolant

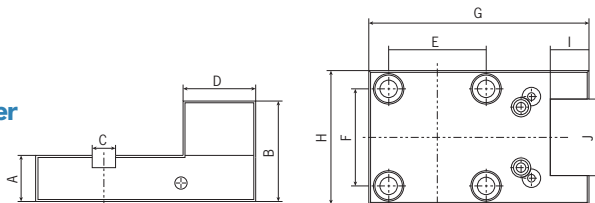


Specification	A	B	C	D	E	F	G	H	N.W.(KG)
SC452580	80	15	50	25	58	58	141	85	5.5
SC552580	80	15	50	25	64	64	151	88	6



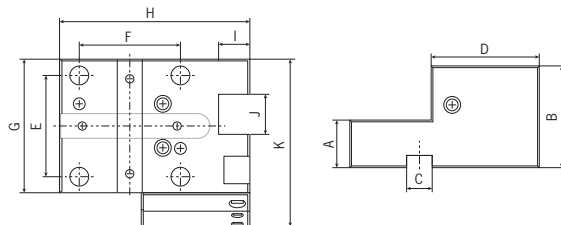
BMT SERIES STATIC TOOL HOLDER

BMT Series Radial Square Tool Holder Static - Left Hand



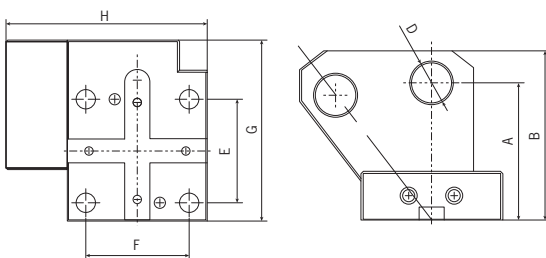
Specification	A	B	C	D	E	F	G	H	I	J	N.W.(KG)
C452566-FX	36	66	15	42	58	58	128	75	25	50	2.8
C552566-FX	30	66	15	48	64	64	145	88	25	50	3.1

BMT Series Radial Square Tool Holder Static - Double - Angled



Specification	A	B	C	D	E	F	G	H	I	J	K	N.W.(KG)
C45-S20-70	32.5	70	15	72	58	58	75	130	20	20	108.1	3.7
C55-S20-65	30	65	15	68.5	64	64	85	120	25	40	106.2	4.2

BMT Series Boring Bar Tool Holder Static - Double - Angled



Specification	A	B	C	D	E	F	G	H	N.W.(KG)
B45-S25-85	85	105	15	25	58	58	105	120.2	4.7
B55-S25-85	85	105	15	25	64	64	112	125	4.9



FOR A BETTER US



ADDRESS

ROOM 1601, NO. 399 MINHE ROAD, ZHENHAI,
NINGBO CHINA, 315202

GET IN TOUCH

PHONE: **+86 574 8659 2189**

FAX: **+86 574 8659 3892**

NTOOLS2017@GMAIL.COM

WWW.NICHE-TOOL.COM